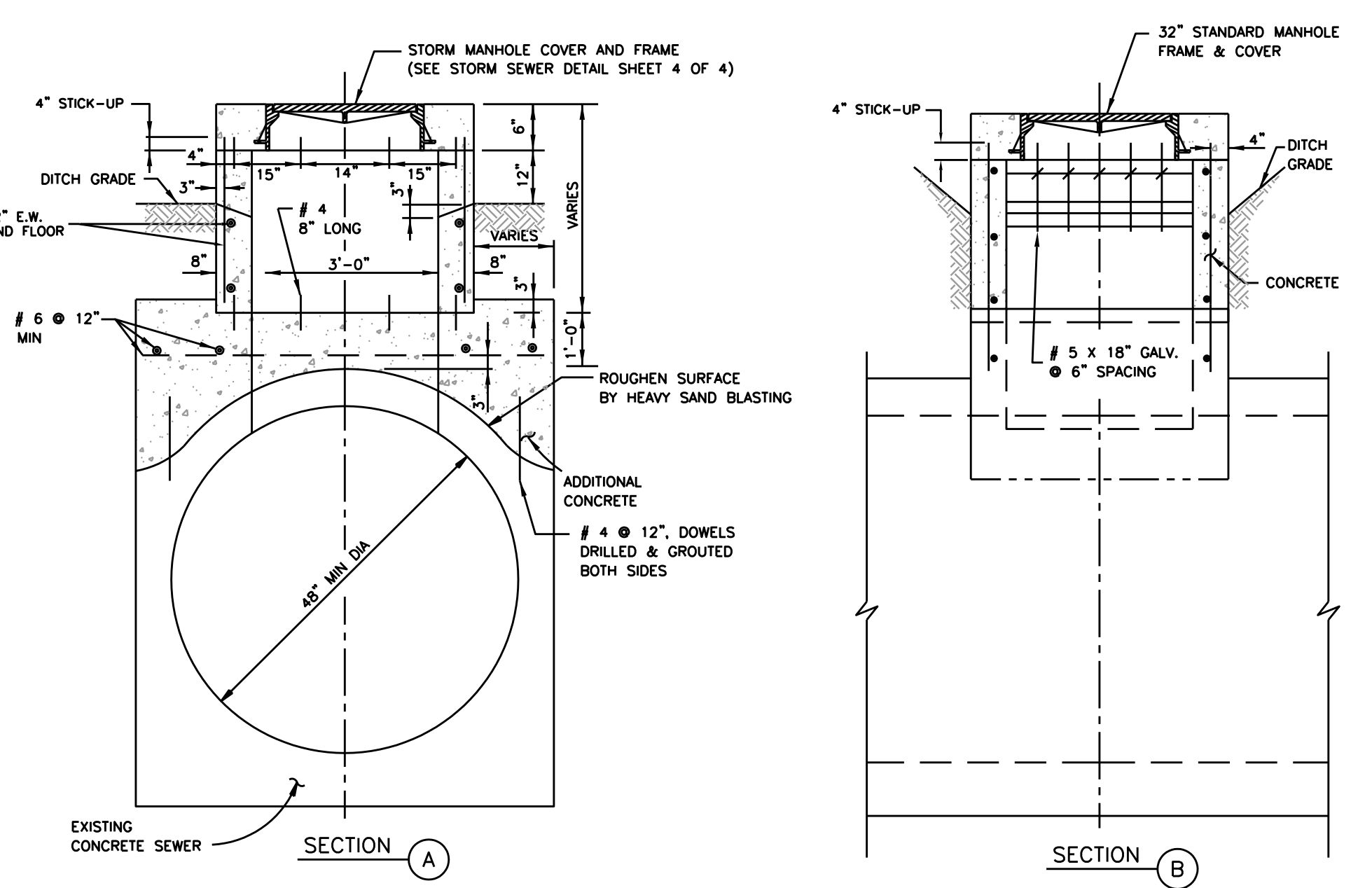
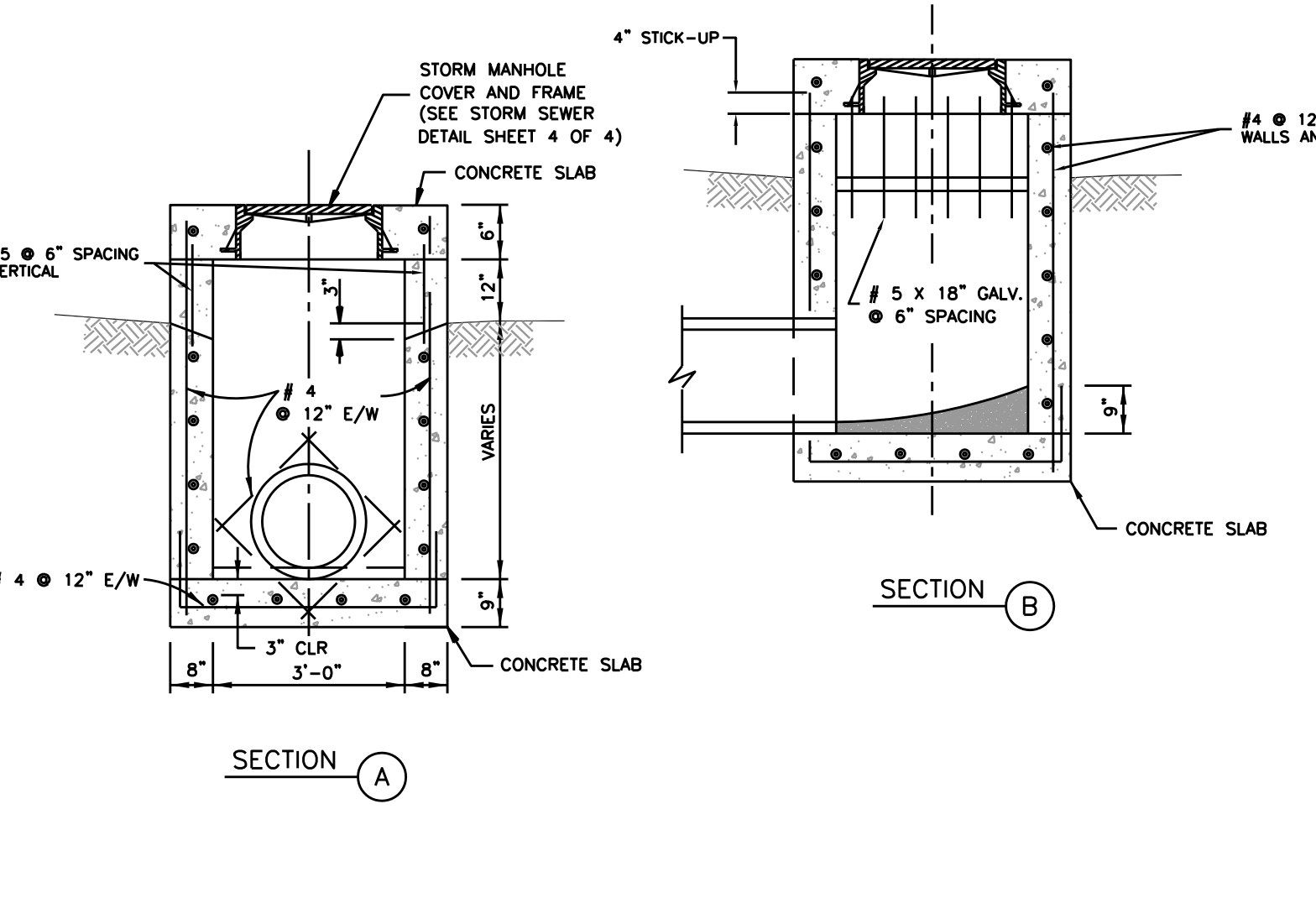
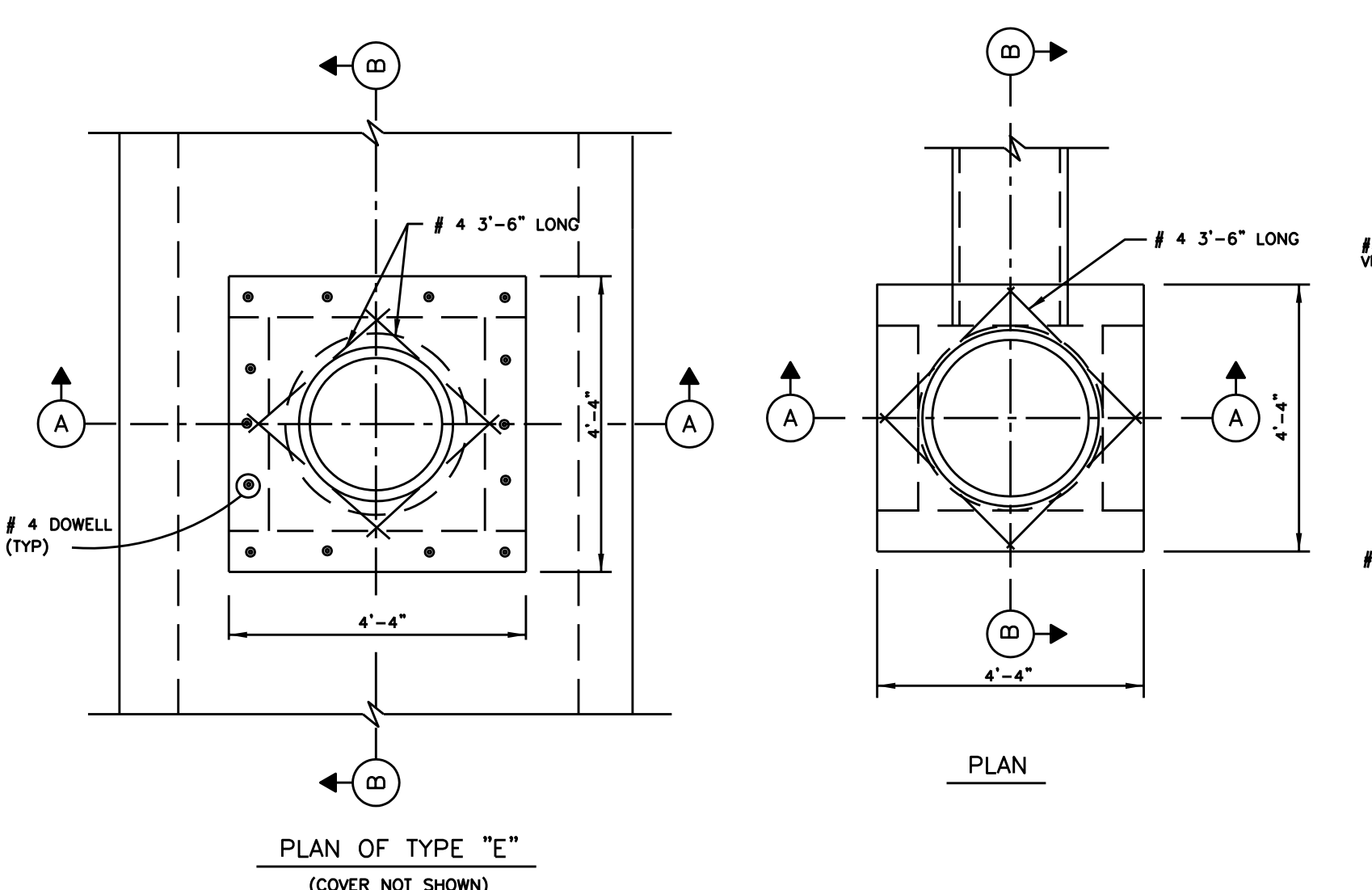


1
2 "C" INLET

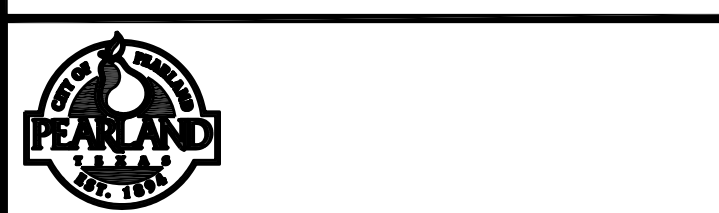


2
2 "E" INLET

3
2 "E" INLET

- NOTE:
1. ALL DETENTION AND PERIMETER DRAINAGE SHALL BE COMPLETED BEFORE ANY INTERIOR CONSTRUCTION IS STARTED.
 2. FOR CAST IN PLACE STORM INLETS: MINIMUM FOUR FIELD TEST CYLINDERS SHALL BE TAKEN FROM EACH MIX DESIGN PLACED EACH DAY ACCORDING ASTM C172-04 STANDARD PRACTICE FOR SAMPLING FRESHLY MIXED CONCRETE.
 3. NO BRICKS OF ANY KIND WILL BE ALLOWED IN CONSTRUCTION OF MANHOLES OR INLETS.
 4. MANHOLES AND INLETS SHOULD BE PLACED AT THE LOT LINE.
 5. THE MINIMUM COMPRESSIVE STRENGTH OF CONCRETE SHALL BE MIN. 4000 PSI AT 28 DAYS.
 6. THE CONTRACTOR SHALL INSTALL COP STORM DRAIN LABEL ON ALL C INLETS. THE CONTRACTOR SHALL REQUEST AND OBTAIN LABEL FROM ENGINEERING. SASHCO SEALANTS CLEAR/WHITE LEXEL ADHESIVE CAULK OR APPROVED EQUAL SHALL BE USED AS ADHESIVE FOR INSTALLATION.

THIS DETAIL SHEET HAS BEEN PREPARED FOR USE ON STANDARD CITY OF PEARLAND PROJECTS. AN ENGINEER WHO INCORPORATES THE DETAILS ON THIS SHEET BECOMES RESPONSIBLE FOR ITS USE IN THE END PRODUCT IN ACCORDANCE WITH RULE 137.33 (b) AND (c) OF THE TEXAS STATE BOARD OF REGISTRATION FOR PROFESSIONAL ENGINEERS.



City of Pearland, Texas
STANDARD DETAILS
STORM INLETS

Job No.:	Scale:	SHEET
Date: JAN 2020	HORIZ: 1"=NONE	2
Dwn By: PRP	VERT: 1"=NONE	OF 2
Chkd By: RS	CAD FILE:	
	COP-STMINL2	