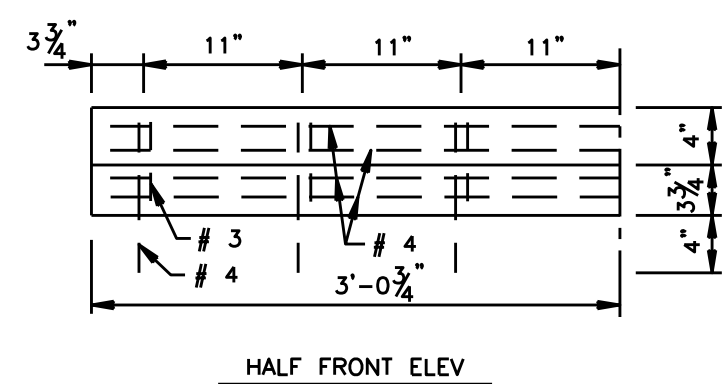
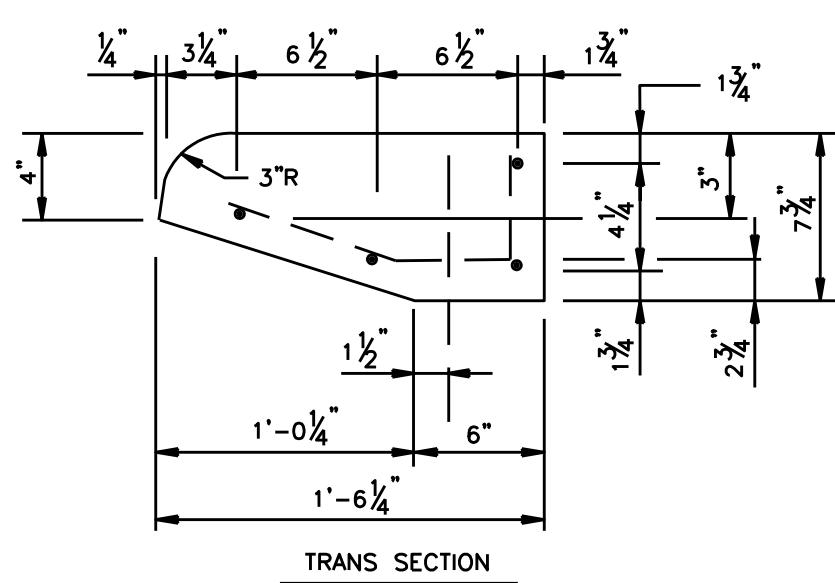
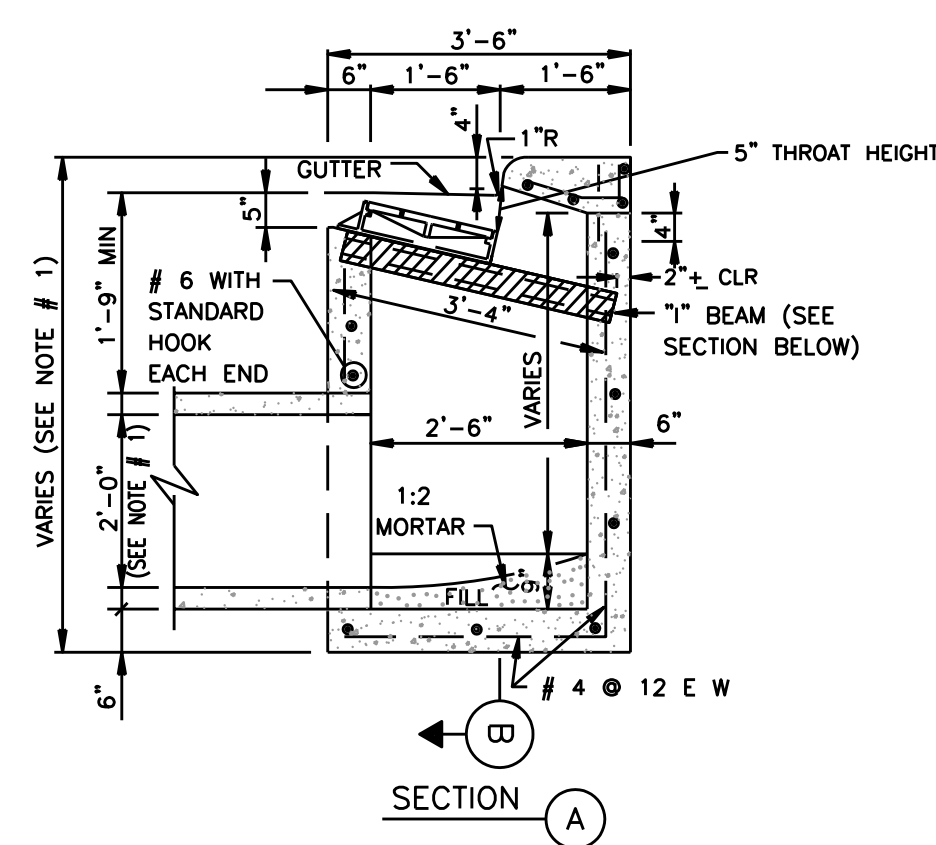
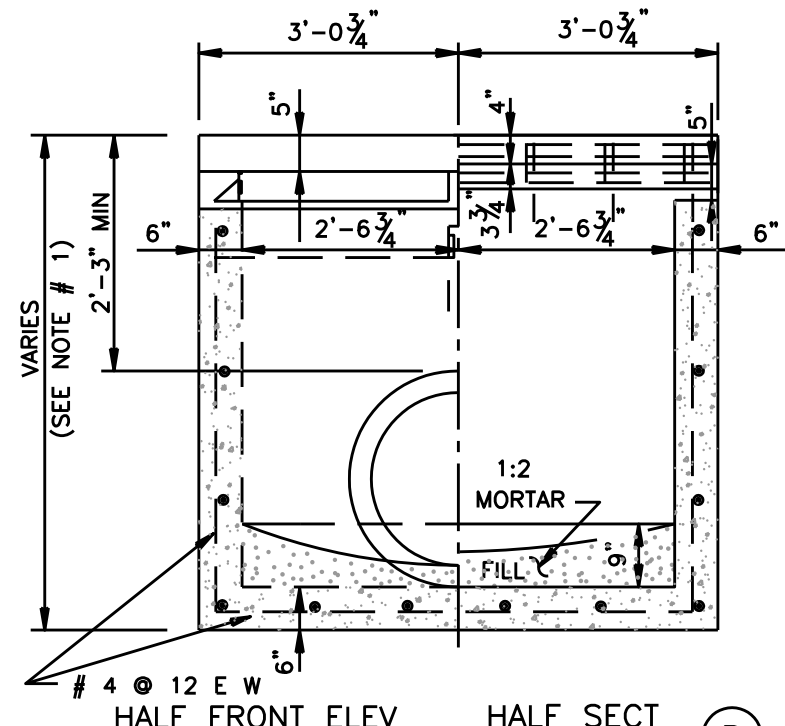
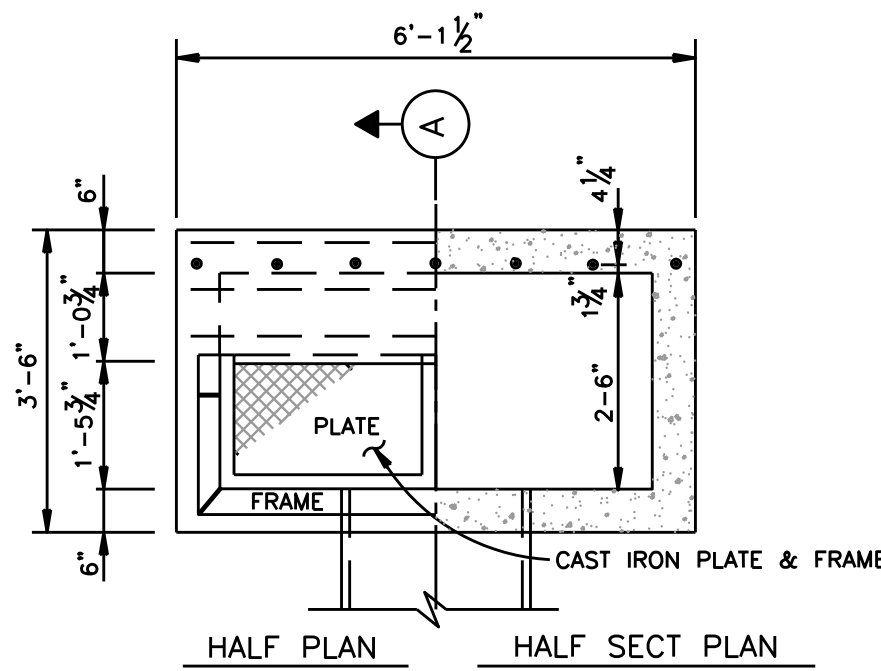


1
1 "A" INLET

2
1 "D" INLET



PRECAST CURB BEAM

ACCEPTABLE ALTERNATE STEEL BEAM SIZES:
S6x17.5
W6x16
(GALVANIZED)

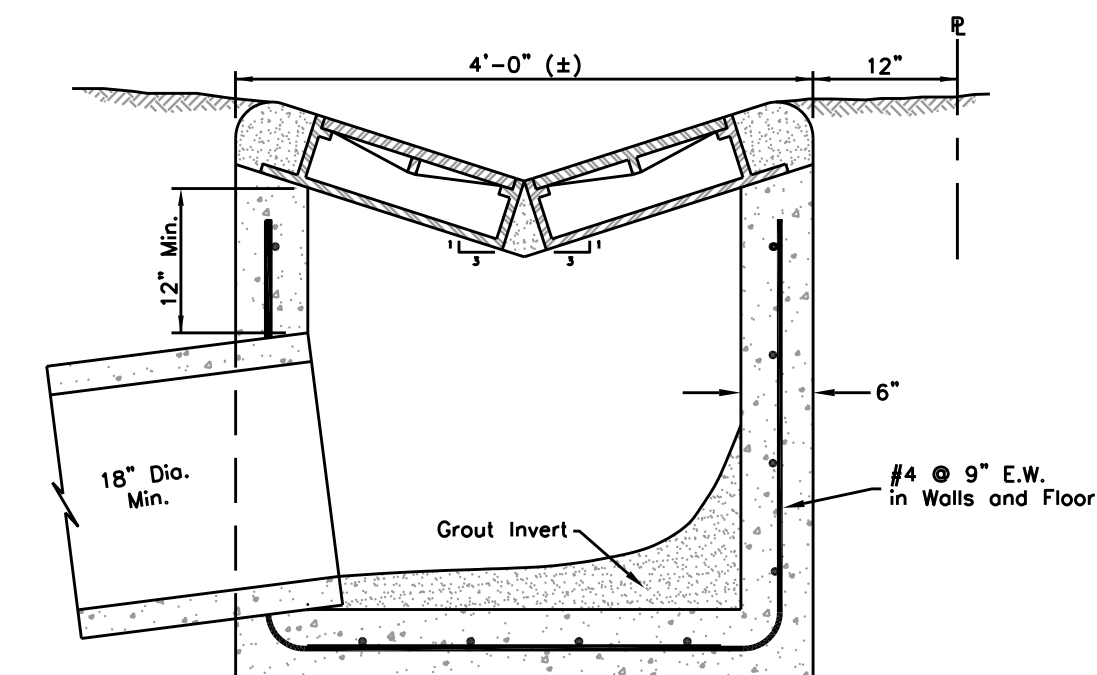
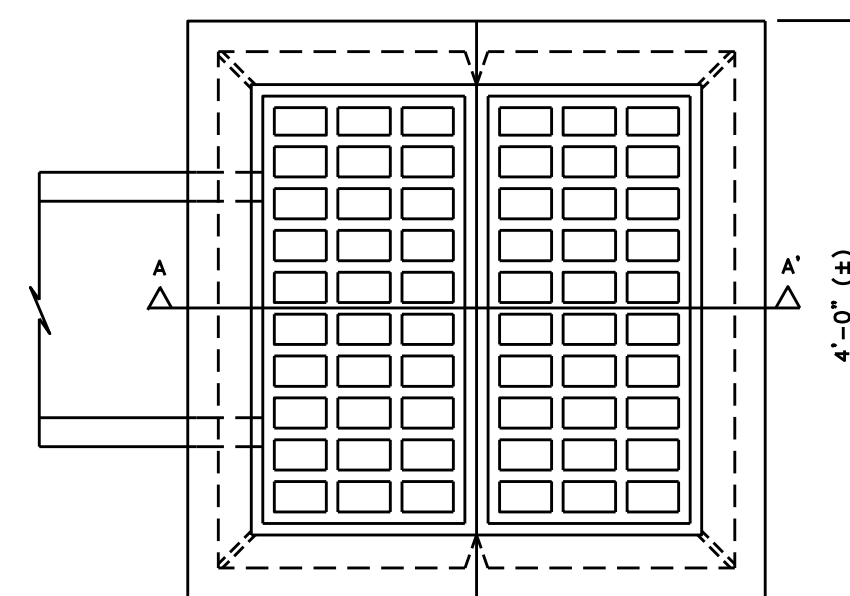
NO	SIZE	LENGTH	SHAPE	LOC
4	#4	5'-10"	ST	HOR
7	#4	0'-10"	ST	VERT
7	#3	1'-6"	BT	VERT

SECTION THRU BEAM

3
1 "BB" INLET

GENERAL NOTES:
USE STD CAST IRON FRAME & PLATES.
LEAD SHALL LEAVE INLET AT LOCATION AND GRADE REQUIRED.

- NOTES:
- DIMENSION VARIES BASED ON PIPE DIAMETER AND WALL THICKNESS.
 - CENTER REINFORCING IN SLAB AND WALLS.
 - CENTER STEEL BEAM ON INLET AND CAST INTO WALLS AS SHOWN.
 - APPROVAL FROM OFFICE OF CITY ENGINEER IS REQUIRED TO USE BB-INLET.



4
1 MAINTENANCE BERM INLET BOX

NOTE:

- ALL DETENTION AND PERIMETER DRAINAGE SHALL BE COMPLETED BEFORE ANY INTERIOR CONSTRUCTION IS STARTED.
- NO BRICKS OF ANY KIND WILL BE ALLOWED IN CONSTRUCTION OF MANHOLES OR INLETS.
- MANHOLES AND INLETS SHOULD BE PLACED AT THE LOT LINE.
- THE MINIMUM COMPRESSIVE STRENGTH OF CONCRETE SHALL BE MIN. 4000 PSI AT 28 DAYS.
- FOR CAST IN PLACE STORM INLETS: MINIMUM FOUR FIELD TEST CYLINDERS SHALL BE TAKEN FROM EACH MIX DESIGN PLACED EACH DAY ACCORDING ASTM C172-04 STANDARD PRACTICE FOR SAMPLING FRESHLY MIXED CONCRETE.

THIS DETAIL SHEET HAS BEEN PREPARED FOR USE ON STANDARD CITY OF PEARLAND PROJECTS. AN ENGINEER WHO INCORPORATES THE DETAILS ON THIS SHEET BECOMES RESPONSIBLE FOR ITS USE IN THE END PRODUCT IN ACCORDANCE WITH RULE 137.33 (b) AND (c) OF THE TEXAS STATE BOARD OF REGISTRATION FOR PROFESSIONAL ENGINEERS.



City of Pearland, Texas

STANDARD DETAILS

STORM INLETS

Job No.:	Scale:	SHEET
Date: JAN 2020	HORZ: 1"=NONE	1
Dwn By: PRP	VERT: 1"=NONE	OF 2
Chkd By: RS	CAD FILE:	
	COP-STMINL1	