

BASE DIA.	"A" I.D. (IN)	"B" I.D. (IN)	"C" THK (IN)	"D" DEPTH (IN)	"E" RADIUS (IN)	"F" PROJ (IN)
16.00	8.13	5.00	0.500	3.00	2.00	0.500

DETAIL 3 HANDHOLE

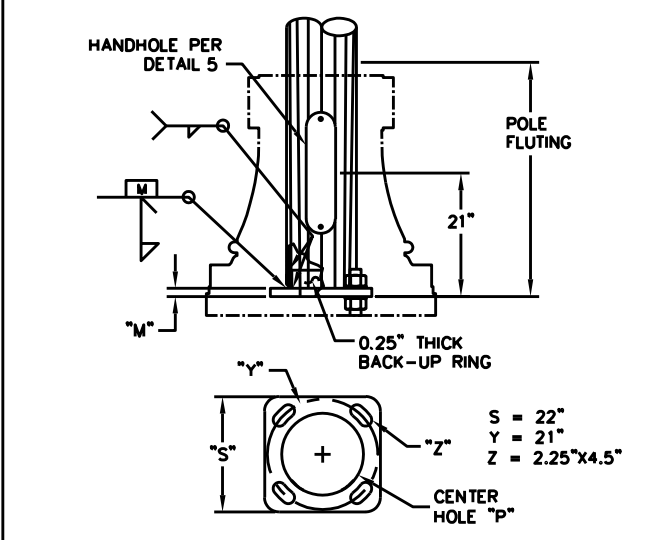
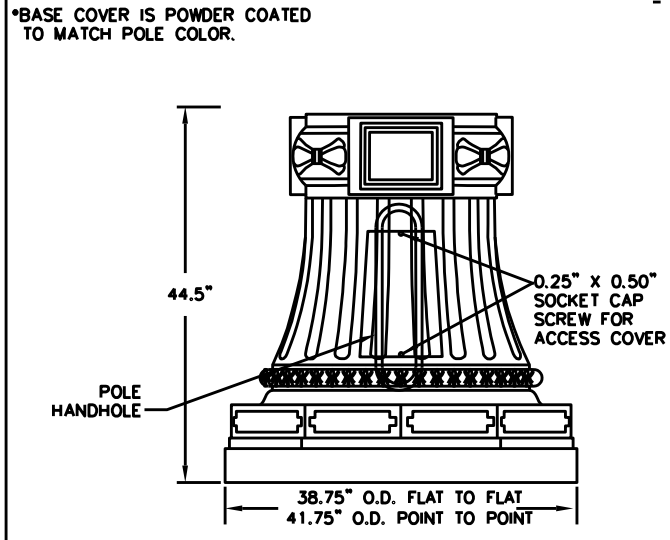
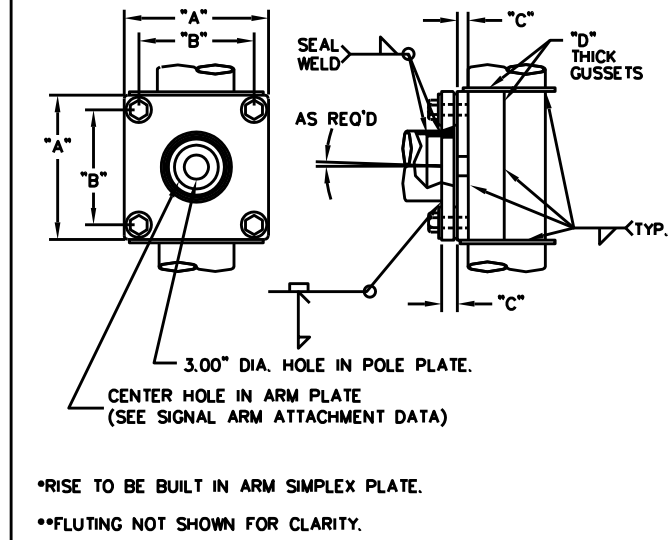
BASE DIA. (IN)	"A" I.D. (IN)	"B" I.D. (IN)	"C" THK (IN)	"D" DEPTH (IN)	"E" RADIUS (IN)	"F" PROJ (IN)	"H" MTG. HEIGHT (FT)	"J" WRING GAP (IN)
16.00	26.25	4.00	0.75	3.50	2.00	0.75	1.75	5.06

DETAIL 5 BASE HANDHOLE

SYSTEM: FINISH PAINT/GALVANIZED (FPGV)  
 BASE COAT: HOT-DIP GALVANIZED TO ASTM A123  
 PRIME COAT: NONE  
 FINISH COAT: TGIC OR URETHANE POLYESTER POWDER  
 COLOR: TO BE DETERMINED  
 SPEC: F-283

SEE NOTE 2

FINISH DATA



DETAIL 2 SIGNAL ARM ATTACHMENT

POLE BASE DIA. (IN)	"A" (IN)	"B" (IN)	"C" (IN)	"D" (IN)	CENTER HOLE DIA. (IN)	"H" (IN)
16.00	21.25	18.00	2.50	0.375	9.75	1.25 x 5.50

SIGNAL ARM ATTACHMENT DATA

- NOTES:
1. WRITTEN CONFIRMATION MUST BE PROVIDED CONFIRMING ALL MOUNTING HEIGHTS, ORIENTATIONS, POLE SIZES, & ANCHOR BOLT SIZES PRIOR TO RELEASE FOR PRODUCTION.
  2. VALMONT COLOR, PAINT CHIP, AND/OR RAL# MUST BE PROVIDED PRIOR TO RELEASE FOR PRODUCTION.
  3. AASHTO 2015 HANDHOLE DESIGN CRITERIA WAS TAKEN EXCEPTION TO, TO ALLOW FOR THE HANDHOLE TO FIT BEHIND THE DECORATIVE BASE COVER.
  4. DIMENSIONS SHOWN ON THIS DETAIL SHEET ARE FOR REFERENCE PURPOSE ONLY. ACTUAL DIMENSION SHALL BE PER MANUFACTURER SPECIFICATION AND WILL BE REVIEWED DURING SHOP DRAWING APPROVAL PROCESS

- NOTE:
1. THIS DRAWING IS FOR REPRESENTATION PURPOSE ONLY. SHOP DRAWINGS SHALL BE APPROVED BY THE PROJECT ENGINEER AS WELL AS THE CITY ENGINEER.
  2. POLE AND SIGNAL ARM DATA MUST BE INCLUDED IN THE ACTUAL SHOP DRAWING.

PLEASE READ THE APPLICABLE COP SPECIFICATION SECTIONS FOR DETAILED INFORMATION.  
 PLEASE REFERENCE THE COP APPROVED PRODUCT LIST FOR APPLICABLE PRODUCT INFORMATION.

THIS DETAIL SHEET HAS BEEN PREPARED FOR USE ON STANDARD CITY OF PEARLAND PROJECTS. AN ENGINEER WHO INCORPORATES THE DETAILS ON THIS SHEET BECOMES RESPONSIBLE FOR ITS USE IN THE END PRODUCT IN ACCORDANCE WITH RULE 137.33 (b) AND (c) OF THE TEXAS STATE BOARD OF REGISTRATION FOR PROFESSIONAL ENGINEERS.



City of Pearland  
 Standard Details  
 DECORATIVE POLES  
 TRAFFIC SIGNAL STRUCTURES